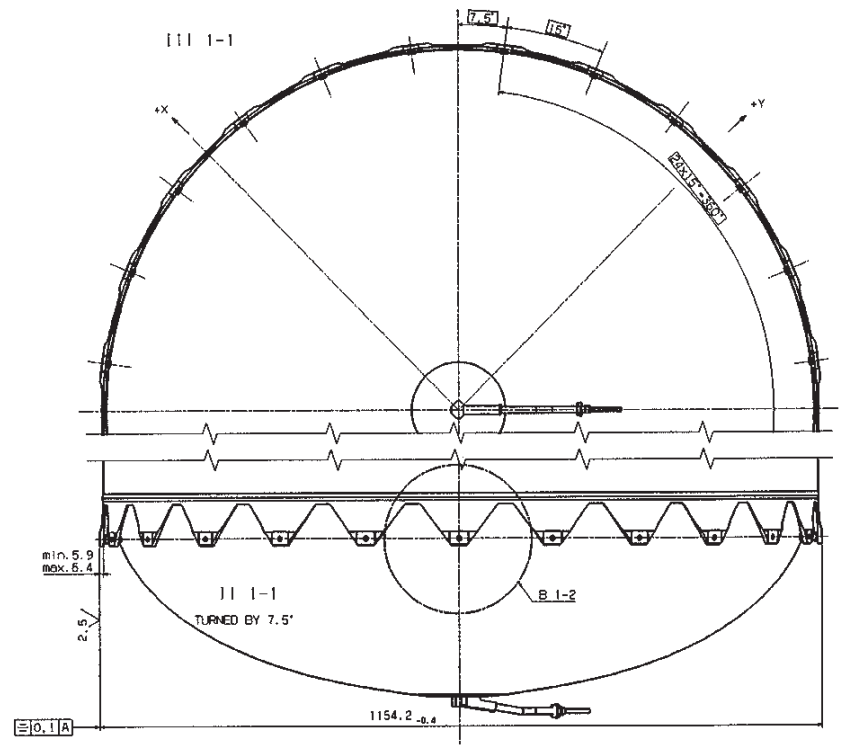
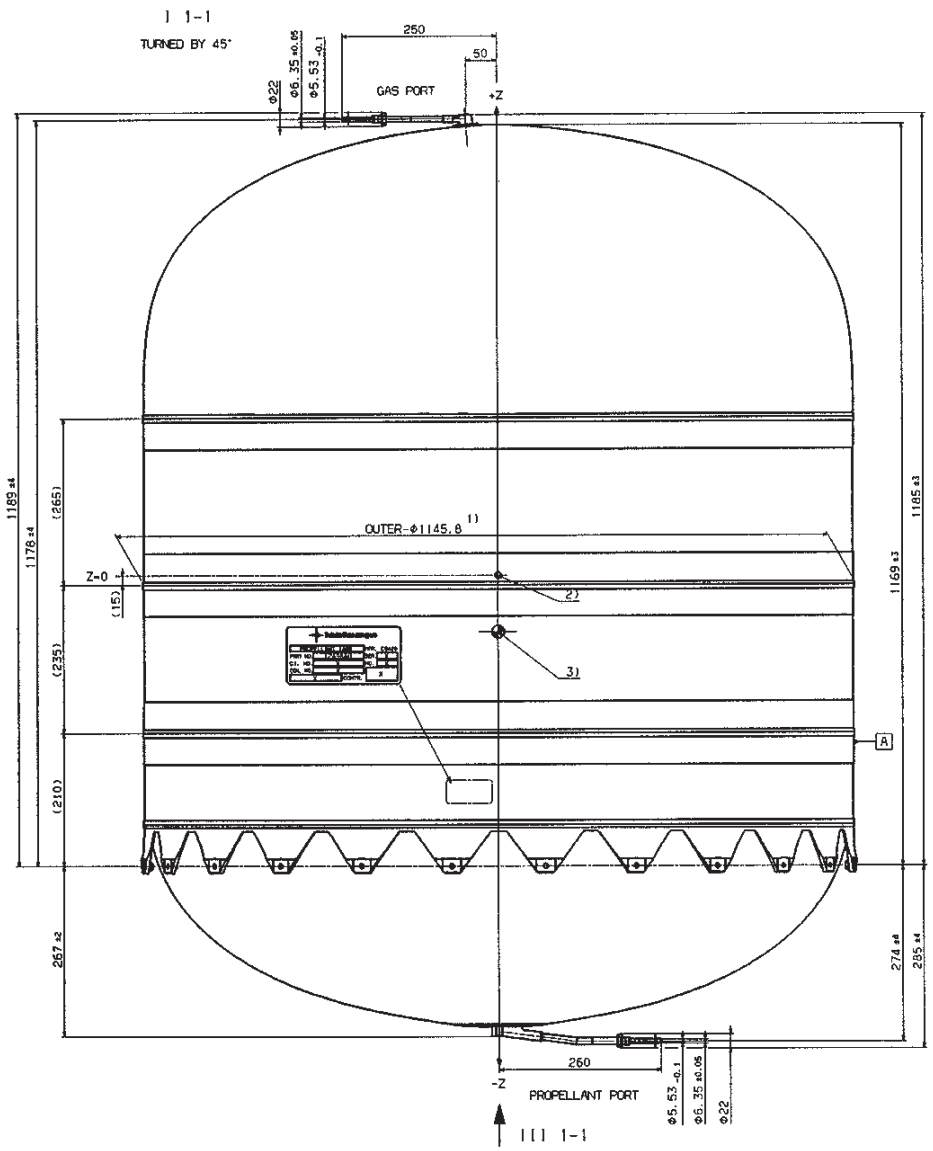


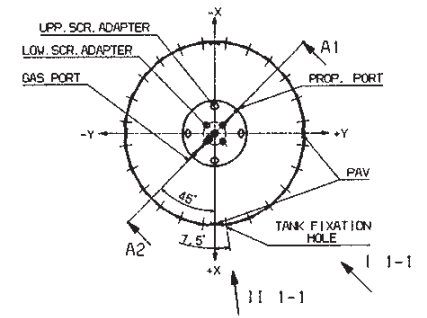
Surface Tension Propellant Tank OST 24/0

Tank Net Volume:	1207 Litres
Propellants:	MON respectively MMH
Geometrical Shape:	Cassini Domes with cylindrical intersection
Interface Fixation:	24 Suspension Tabs with floating nuts M10 x 1.25
Materials	
- Pressure Vessel:	Ti6Al4V STA (3.7164.7)
- Suspension/Ports:	Ti6Al4V (3.7164.1)
- PMD:	Ti99.4 (3.7034.1) and Ti6Al4V (3.7164.1)
- Screens:	304L (1.4306); qualified also for Ti99.4 (3.7025.1)
Tank Mass:	52.5 kg
Project Involvement:	Astra 1K





SYSTEM SKETCH



- MATERIALS:
- CASSINI DOMES : 3.7164.7
 - INTERMED. RING : 3.7164.7
 - SUSPENSION : 3.7164.1
 - SUMP BOTTOM : 3.7164.7
 - PORTS (1/F) : 3.7164.1
- 3) CENTER OF GRAVITY
(REF. : ASTRA-RIBRE-TN-0001)
- 2) ORIGIN OF COORDINATES
- 1) UNPRESSURIZED